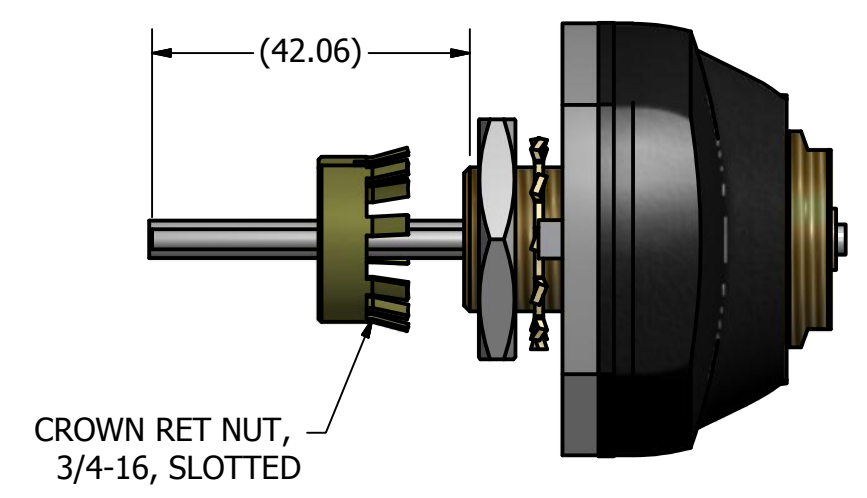
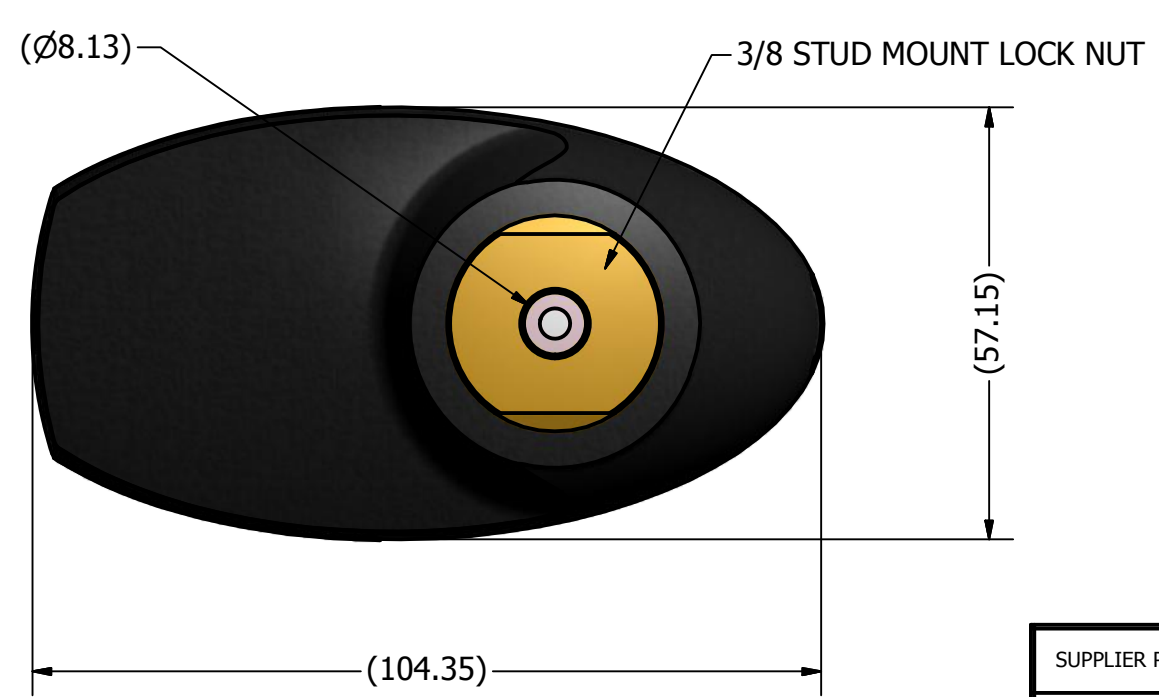
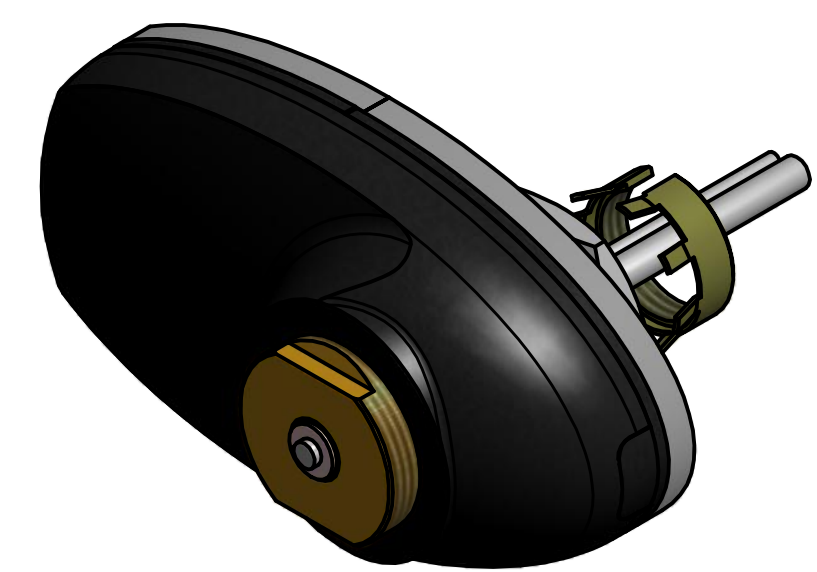
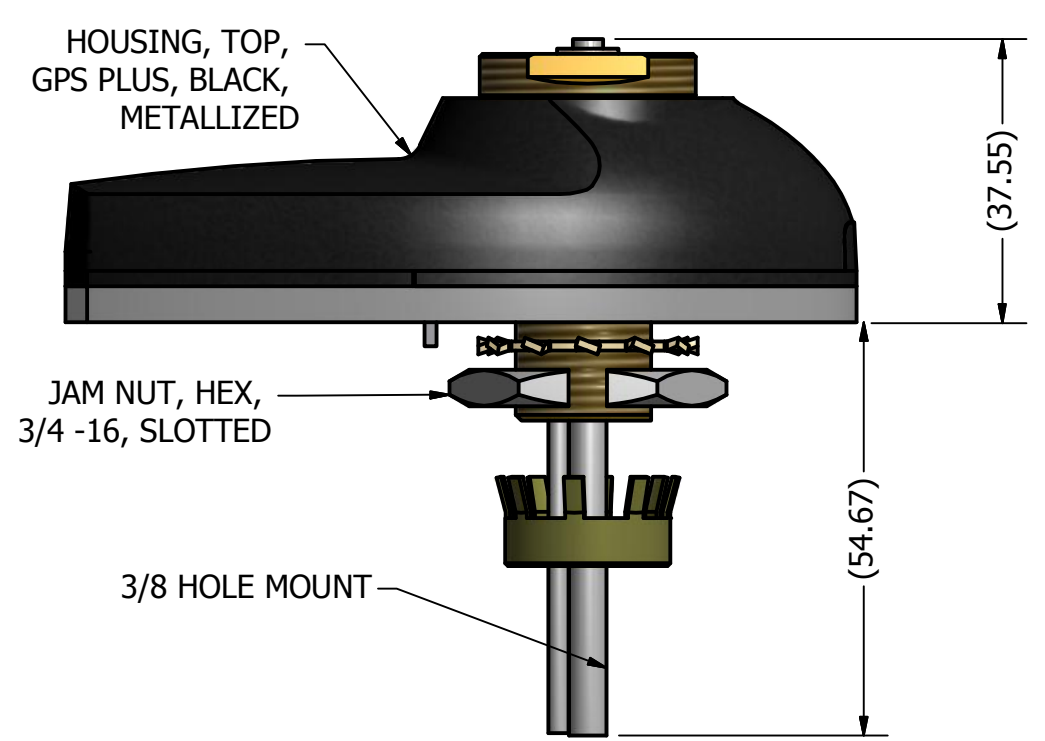


REVISION HISTORY			
REV	DESCRIPTION	DATE	APPROVED
1	GNSS (GPS/GALILEO/QZSS/GLONASS) PLUS SUBASSY, STUD, BLK METALLIZED	09/01/2016	CE



NOTES: UNLESS OTHERWISE SPECIFIED

1. A (REF) DIMENSION IS FOR INFORMATION PURPOSES ONLY AND NO TOLERANCE IS IMPLIED.

SUPPLIER PRINT ACCEPTANCE: <input type="checkbox"/> Accept drawing/specification: No changes needed: <input type="checkbox"/> This part is RoHS compliant <input type="checkbox"/> This part is REACH compliant <input type="checkbox"/> Accept drawing/specification. Notes/Mark-ups added <input type="checkbox"/> Cannot accept drawing/spec. Notes/Mark-ups added Supplier Projected Outgoing Quality: SIGMA LEVEL : _____ or PPM: _____ Signature _____ Date: _____	UNLESS OTHERWISE SPECIFIED DIMENSIONS ARE IN MILLIMETERS FOR TOLERANCES NOT SPECIFIED USE: [X mm ± 3 mm] [X.X mm ± .3 mm] [X.XX mm ± .13 mm] ANGULAR ± 1°	DRAWN: CE DATE: 9/1/2016 CHECKED: IP DATE: 9/1/2016 MATERIAL: SEE COMP. PRINTS FINISH: SEE COMP. PRINTS	<p>PCTEL, INC. 471 BRIGHTON DRIVE BLOOMINGDALE, IL 60108 PH. 630-372-6800 FAX. 630-372-8077</p>
	THIRD ANGLE PROJECTION 	PCTEL PROPRIETARY DATA THE INFORMATION AND/OR DRAWINGS CONTAINED IN THIS DOCUMENT IS CONFIDENTIAL AND PROPRIETARY TO PCTEL, INC. AND MAY NOT BE USED, REPRODUCED, IN WHOLE OR IN PART, OR MODIFIED IN ANY WAY WITHOUT THE EXPRESS WRITTEN PERMISSION OF AN AUTHORIZED REPRESENTATIVE OF PCTEL, INC.	